

# Semi Auto Rifle Pen Kit

## Kit Features:

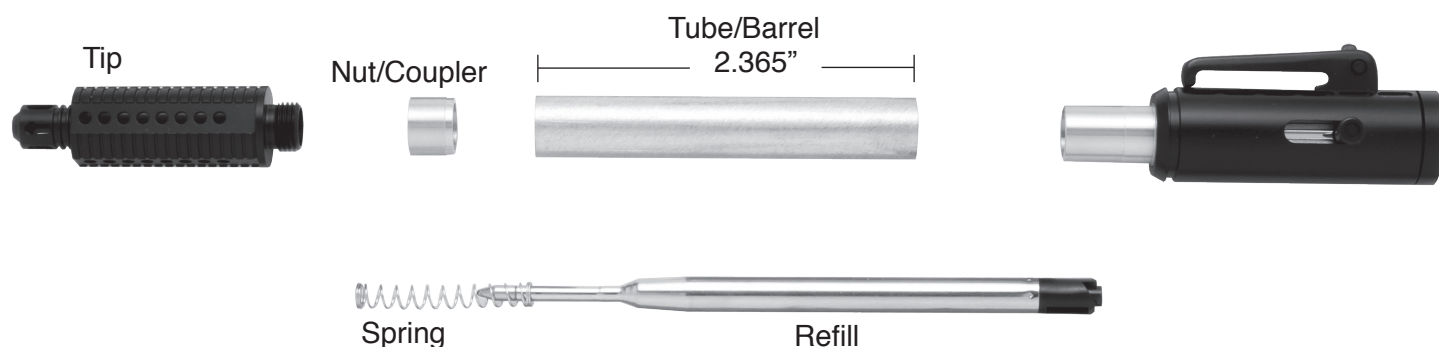
- Easy to turn with straight tubes
- Minimum parts - easy to assemble
- Available in multiple finishes
- Uses Parker® Style refills
- Overall Length: 5-5/8" Long

## Required Accessories:

- 7mm Pen Mandrel
- Drill Bit(10mm):#PK10-10
- Bushing set(2 pc): #PKAUTOBU
- Barrel Trimming set: #PKTRIM10
- Live Tailstock Center
- 2 Part Epoxy Glue or Insta Cure (Cyanoacrylate) Glue
- Pen Blank: Minimum Size - 3/4" x 3"

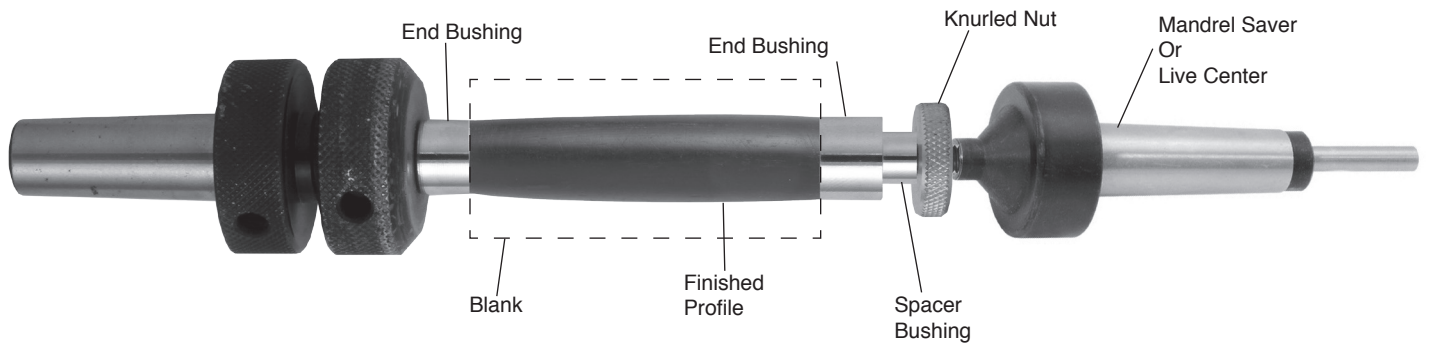


## DIAGRAM A / PARTS LAYOUT



## Preparing the Blank:

- Cut 1 blank to the length of the tube and add 1/16" for squaring off.
- Drill a 10mm hole lengthwise through the blank.
- Spread glue over the tube, insert the blank with a twisting motion to spread the glue evenly inside.
- Center the tube lengthwise inside the blank.
- When the glue is dry, square the ends of the blank. Use a 10mm barrel trimmer, or a universal pen blank squaring jig with a power disc sander. Take the excess material down flush with the ends of the brass tube. (do not trim beyond the length of the tube since this may interfere with operation of the mechanism and assembly). Use a barrel trimmer to clean the inside of the tube.

**DIAGRAM B / TURNING THE BLANKS****Turning the Blank**

- Mount the bushings and blanks according to diagram B.
- Thread on the knurled nut and hand tighten to hold all components in place.
- Slide the tailstock up snugly against the mandrel shaft inserting the live center point into the mandrel dimple, lock in place.
- Hand tighten the quill adjustment to firm up the mandrel. (DO NOT overtighten, it could damage the mandrel.
- When using Mandrel Saver, there is no need for extra spacer bushings or the knurled nut. Slide tailstock directly against bushings and tighten until blank and bushings are secure
- Using sharp tools, turn the blank down close to the bushing diameter. Turn the barrel (straight or to a profile of your choice)
- Sand the blank down to be flush with the bushings gradually increasing the sandpaper grits.
- Finish the barrel with your choice of polish. Allow sufficient time for the polish to cure. Refer to polish instructions.

**Assembly**

- Layout parts according to diagram A
- Press the nut/coupler recessed end first into either end of the barrel.
- Press the upper end assembly into the opposite end of the barrel.
- Affix the spring over the refill. Drop the refill into the opening at the nut.
- Screw the tip into the coupler.
- The pen is ready to operate by sliding the lever down against the spring to advance or retract the refill.
- To replace the refill - unscrew the tip - remove and replace the refill.

**Diagram C / Bushings #PKAUTOBU**