

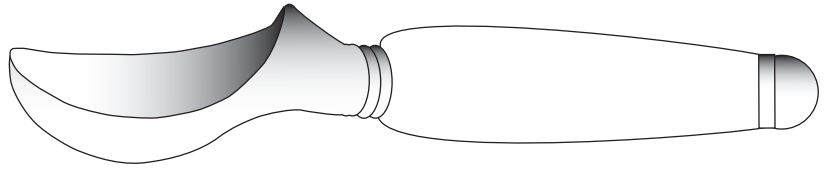
# ICE CREAM SCOOP KIT

## KIT FEATURES

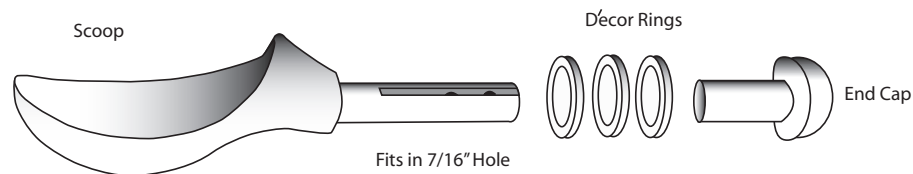
- Attractive, contemporary design
- Chrome plated, durable for long life
- Thumb rest on scoop
- Optional assembly of decorative rings

## REQUIRED ACCESSORIES:

- 7mm, Pen Mandrel
- 7/16" Drill Bit
- 2pc bushing set #PKISCOOPBU  
(Note: The bushings reverse for squaring and finishing)
- 2 part epoxy glue or insta-cure cyanoacrylate glue



**DIAGRAM A / Parts list**

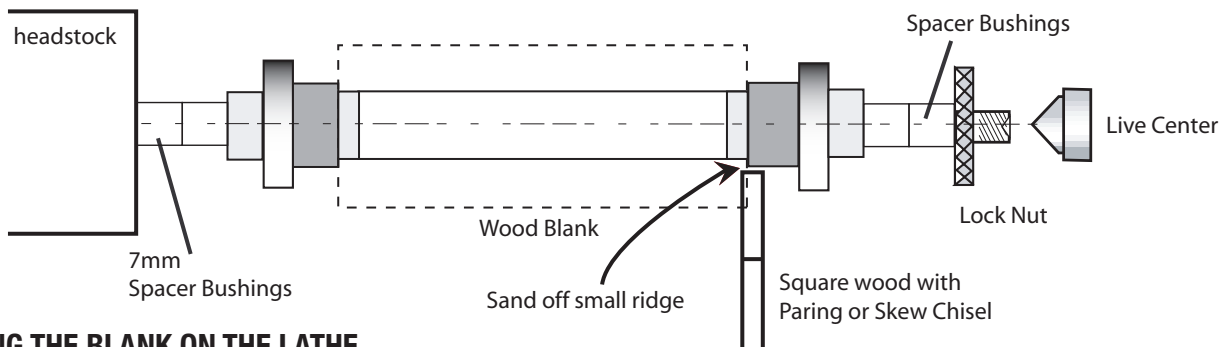


## PREPARING THE BLANK

- Prepare a blank of about 1-1/2" square x 3-1/2" to 4" long
- Mark the center of the end surface and drill a 7/16" hole through the blank.

**DIAGRAM B**

**Position of bushings on the mandrel for squaring the blank**

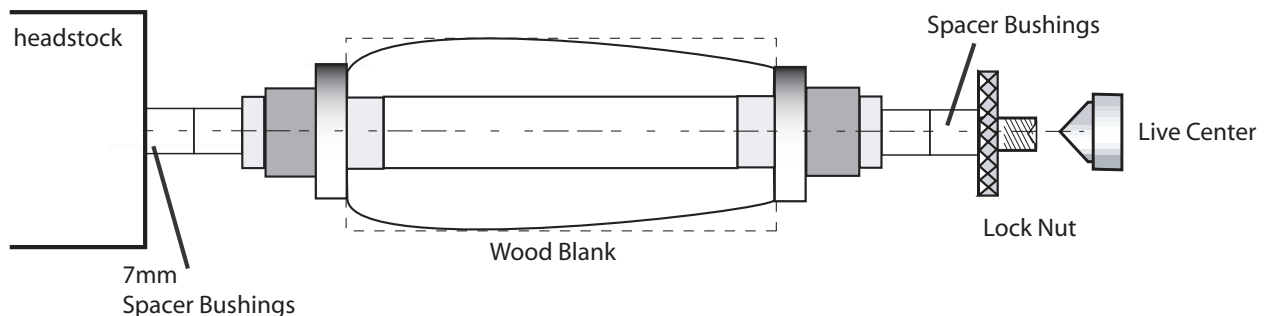


## SQUARING THE BLANK ON THE LATHE

- Mount bushing, long extension first over the pen mandrel. Mount the wood blank and other bushing with short extension in first. Fit in the holes of the blank, lock set up in place with lock nut. (see dia. B)
- Use a parting or skew chisel to square (90°), both ends of the blank to the bushing dia. Remove the blank and sand down the small ridge left by the bushings (see dia. B)

**DIAGRAM C**

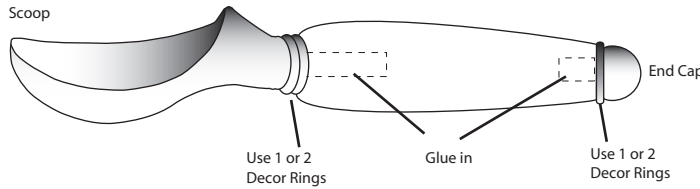
**Position of bushings for turning the blank**



**TURNING THE BLANK:**

- Remove and remount the bushing over the mandrel. First bushing, mount with the short extension in first, then the wood blank. For the second bushing, mount with long extension in first. Use spacer bushing to close the space to the threads, lock set up in place for turning.
- Turn the blank to the profile of your choice down to the diameter of the bushings. Sand and finish the handle. #PKCAFIN-SET is recommended for a final shine on the wood.

**DIAGRAM D / Assembly**



**ASSEMBLY:**

- You may choose to use 1 or 2 decor rings at the front end or 2 and 1 decor rings at the end cap.
- Squeeze glue into the opening of each side. Slide the components in with a twisting motion to spread the glue inside the handle. Let dry.
- The scoop is ready to dish. NOTE: Handwash. Do not use dishwasher.

**DIAGRAM C • #PKISCOOPBU**

